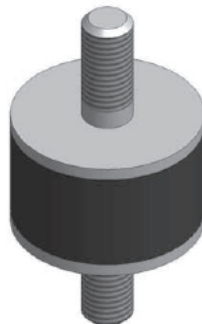
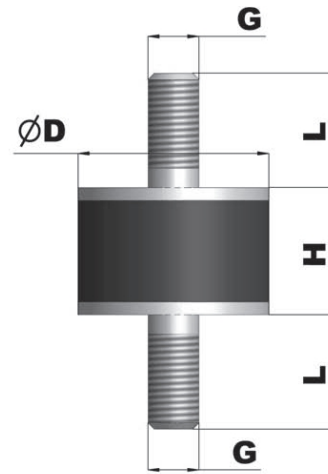


Accessories Mod. Puffer A

A Type Puffer

Articolo	Dimension		Compression				Shear			
	D x H	G x L	Load	C = daN/cm			Load	C = daN/cm		
				h	m	w		h	m	w
Artikel	(mm)	(mm)	(daN)	h	m	w	(daN)	h	m	w
A 8x8	8x8	M3x6	3	57	39	14	1	11	7,5	4,2
A 10x8	10x8	M4x10	5	64	44	22	1,5	14,8	10,2	5,7
A 16x15	16x15	M4x10	10	106	66	30	3	19,2	13,3	7,4
A 18x8,5	18x8,5	M6x16	12	255	166	98	5	60	41	23
A 20x15	20x15	M6x18	15	187	130	83	6	36	23	13
A 20x20	20x20	M6x18	15	121	83	50	6	24	16	9,3
A25x20	25x20	M6x18	25	195	138	86	10	40	27	14
A30x20	30x20	M8x20	35	294	203	130	15	57	40	22
A30x25	30x25	M8x20	35	202	136	89	15	45	30	16
A30x30	30x30	M8x20	35	155	107	65	15	35	24	13
A40x30	40x30	M8x23	60	303	192	130	25	63	43	24
A40x40	40x40	M8x23	60	195	136	83	25	45	31	17
A50x20	50x20	M10x25	100	1587	1000	540	40	160	110	61
A50x30	50x30	M10x25	100	571	395	219	40	98	68	37
A50x45	50x45	M10x25	100	311	142	119	40	62	40	24
A75x40	75x40	M12x37	220	1083	750	415	90	169	117	65
A75x55	75x55	M12x37	220	634	438	243	90	117	81	45
A100x40	100x40	M16x44	400	2877	1951	982	150	319	221	122
A400x60	100x60	M16x44	400	1159	803	438	150	196	136	75





H=70°Sh m=60°
f=deflection--P=load (daN)--C=

$$f = \frac{P}{C}$$

Technical Specifications

Puffer tipo A

Articolo	Dimensioni (mm)		Compression			
	DxH	GxL	Load daN	C=daN/cm h m w		
A 8x8	8x8	M 3x6	3,0	57	39	14
A 10x8	10x8	M 4x10	5,0	64	44	22
A 16x15	16x15	M 4x10	10,0	106	66	30
A 18x8,5	18x8,5	M 6x16	12,0	255	166	98
A 20x15	20x15	M 6x18	15,0	187	130	83
A 20x20	20x20	M 6x18	15,0	121	83	50
A 25x20	25x20	M 6x18	25,0	195	138	86
A 30x20	30x20	M 8x20	35,0	294	203	130
A 30x25	30x25	M 8x20	35,0	202	136	89
A 30x30	30x30	M 8x20	35,0	155	107	65
A 40x30	40x30	M 8x23	60,0	303	192	130
A 40x40	40x40	M 8x23	60,0	195	136	83
A 50x20	50x20	M 10x25	100,0	1587	1000	540
A 50x30	50x30	M 10x25	100,0	571	395	219
A 50x45	50x45	M 10x25	100,0	311	142	119
A 75x40	75x40	M 12x37	220,0	1083	750	415
A 75x55	75x55	M 12x37	220,0	634	438	243
A 100x40	100x40	M 16x44	400,0	2877	1951	982
A 100x60	100x60	M 16x44	400,0	1159	803	438